



宇华国际科技有限公司
YuHua Int'l Technology co., Limited

**SPECIFICATION
FOR
LCD MODULE**

Customer : _____
Product Model: YH028SQ3701
Sample code: _____

Designed by	Checked by	Approved by

Final Approval by Customer

<input type="checkbox"/> LCM Machinery OK Checked By _____ <input type="checkbox"/> LCM Display OK Checked By _____	<input type="checkbox"/> LCM OK <input type="checkbox"/> NG , Problem survey: Approved By _____
--	---

※The specification of "TBD" should refer to the measured value of sample . If there is difference between the design specification and measured value, we naturally shall negotiate and agree to solution with customer.

Contents

1. General Specifications.....	1
2. Pin Assignments.....	2
3. Electrical Specifications.....	3
3.1. Absolute Maximum Rating.....	3
3.2. Typical Operation Conditions.....	3
3.3. Backlight Unit.....	5
4. Optical Specifications.....	5
5. Reliability Test Items.....	10
6. Handling Precautions.....	11
6.1. Safety.....	11
6.2. Handling.....	11
6.3. Static Electricity.....	11
6.4. Storage.....	11
6.5. Cleaning.....	11
7. Mechanical Drawing.....	12
8. Package Drawing.....	13

2. General Specifications

No.	Item	Specification	Unit	Remark
1	LCD Size	2.8"	inch	-
2	Panel Type	a-si TFT	-	-
3	Resolution	240x(RGB)x320	pixel	-
4	Display Mode	Normally white, Transmissive	-	-
5	Display Number of Colors	262K	-	-
6	Viewing Direction	12 o'clock	-	Note 1
7	Contrast Ratio	300	-	-
8	Luminance	260	cd/m ²	
9	Module Size	50.0W)x69.2(L)x3.6 (T)	mm	Note 1
12	Weight	TBD	g	-
13	Driver IC	ILI9341	-	-
14	Driver IC RAM Size	240x18x320	bit	-
15	Light Source	4 White LEDs in Parallel	-	-
16	Interface	80-system 8bits Parallel Bus	-	-
17	Operating Temperature	-20~70	°C	-
18	Storage Temperature	-30~80	°C	-

Note 1: Please refer to the mechanical drawing.

3. Pin Assignments

Pin No.	Symbol	Function
1	DB0	Data bus
2	DB1	Data bus
3	DB2	Data bus
4	DB3	Data bus
5	GND	
6	VCC	Power supply(2.8V)
7	CS	
8	RS	
9	WR	
10	RD	
11	NC	
12	XL	
13	YU	
14	XR	
15	YD	
16	A	
17	K1	
18	K2	
19	K3	
20	K4	
21	NC	
22	DB4	Data bus
23	DB8	Data bus
24	DB9	Data bus
25	DB10	Data bus
26	DB11	Data bus
27	DB12	Data bus
28	DB13	Data bus
29	DB14	Data bus
30	DB15	Data bus
31	RESET	
32	VCI	Power supply(2.8V)

33	VCC		
34	GND		
35	DB5		
36	DB6		
37	DB7		

4. Electrical Specifications

4.1. Absolute Maximum Rating

(T_a=+25°C)

Item	Symbol	Values		Unit	Remark	
		Min.	Max.			
TFT Module	I/O Circuit Supply Voltage	VDD	-0.3	4.6	V	Note 1
	Analog/Logic Supply Voltage	VCI	-0.3	4.6	V	Note 1
Backlight Unit	Current	I _B	-	120	mA	Note 2
	Power Consumption	P _{BL}	-	480	mW	Note 2

Note1: Permanent damage to the device may occur if maximum values are exceeded or reverse voltage is applied.

Note2: Without LED driver IC, please refer to 4.3.

4.2. Typical Operation Conditions

3.2.1 DC Characteristics

(T_a=+25°C, VCI=+2.8V)

Item	Symbol	Values			Unit	Remark
		Min.	Typ.	Max.		
Logic Supply Voltage	VDD	1.65	2.8	3.3	V	T _a =25°C
Analog Supply Voltage	VCI	2.6	2.8	3.3	V	
Input High Voltage	V _{IH}	0.7VDD	-	VDD	V	
Input Low Voltage	V _{IL}	0		0.3VDD	V	
Output High Voltage	V _{OH}	0.8VDD	-	VDD	V	
Output Low Voltage	V _{OL}	0	-	0.2VDD	V	
Frame Frequency	f _{FRAME}	-	65	-	Hz	

Note: To prevent IC latch up or DC operation in LCD panel, the power on/off sequence should follow the driver IC specification.

3.2.2 Current Consumption

Item	Symbol	Values	Unit	Remark
------	--------	--------	------	--------

		Typ.	Max.		
MCU Interface (8080 16-bit parallel Interface)					
Still Mode	VDD	-	TBD	uA	Note1
	VCI	-	TBD	mA	
Sleep Mode	VDD	-	TBD	uA	Note1, Note3
	VCI	-	TBD	uA	

Note1: Test Condition

Typ: VDD=2.8V

VCI=2.8V

Display Pattern: 8 Color Bar

Frame Rate=80Hz at Line Inversion

Operating Temperature: 25°C

Max: VDD=3.0V

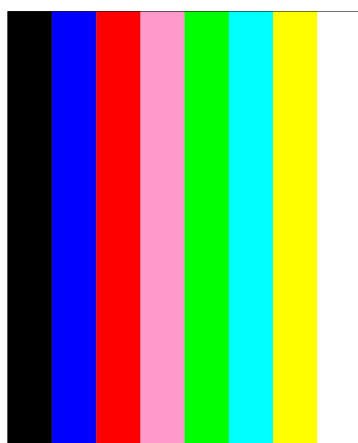
VCI=3.3V

Display: Pattern:All Pixel Black

Frame Rate=80Hz at Line Inversion

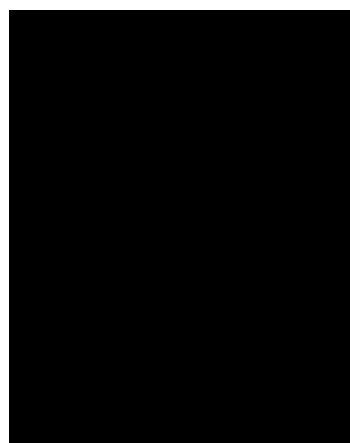
Operating Temperature: 25°C

Typ. current check pattern:



8-Color Bar

Max. current check pattern:



Black

Note2: In the standby mode, all the internal display operations are suspended including the internal R-C oscillator.

Note3: In the sleep mode, all the internal display operations are suspended except the internal R-C oscillator.

4.3. Backlight Unit

The backlight system is an edge lighting type with 6 white LEDs.

($T_a=+25^{\circ}\text{C}$)

Item	Symbol	Values			Unit	Remark
		Min.	Typ.	Max.		
Current	I_B	-	80	-	mA	Note 1
Power Consumption	P_{BL}	-	270	-	mW	Note 2

Note1: 6 LEDs are connected in parallel; each LED's current consumption is 20mA.

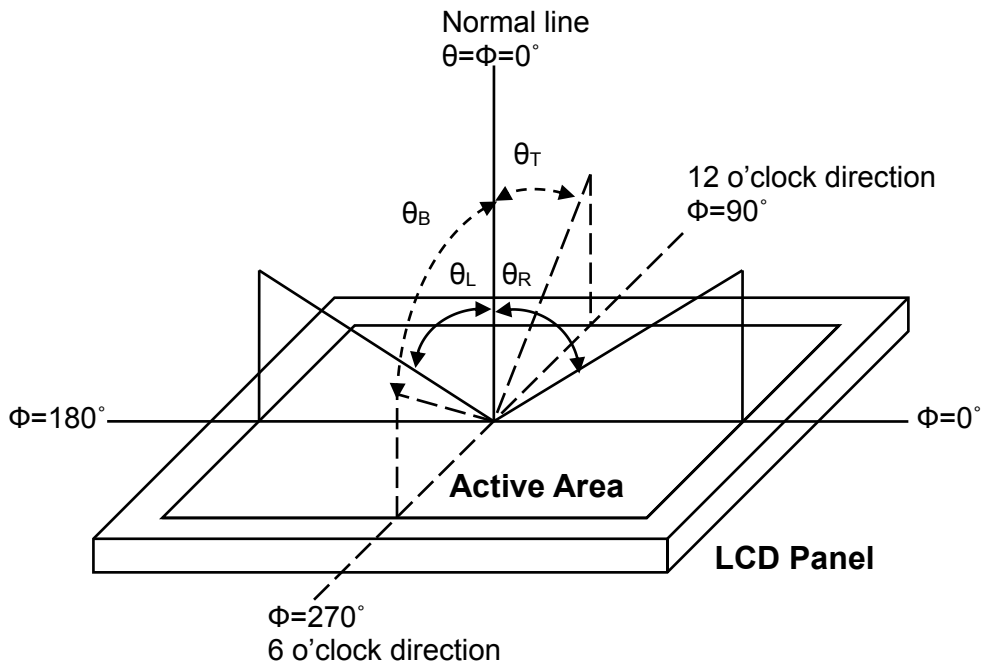
Note2: Where $I_B=120\text{ mA}$, $P_{BL} = I_B \times V_{BL}$, V_{BL} is backlight forward voltage.

5. Optical Specifications

($T_a=+25^{\circ}\text{C}$, $V_{CI}=2.8\text{V}$, $V_{DD}=1.8\text{V}$, $I_B=46\text{mA}$)

Item	Symbol	Condition	Values			Unit	Remark	
			Min.	Typ.	Max.			
Viewing Angle Range	Left	θ_L	CR ≥ 10	—	45	-	degree	Note 1,2
	Right	θ_R		—	45	-		
	Top	θ_T		—	50	-		
	Bottom	θ_B		—	20	-		
Response Time	$T_{on} + T_{off}$	Normal $\theta=\phi=0^{\circ}$	-	30	50	ms	Note 2,3	
Contrast Ratio	CR	Normal $\theta=\phi=0^{\circ}$	200	300	-	-	Note 2,4	
Luminance	L	Normal $\theta=\phi=0^{\circ}$	160	200	-	cd/m ²	Note 2,5	
Flicker	-	-	No Visible			-	Note 8	
Crosstalk	-	-	No Visible			-	Note 9	
Color Chromaticity (CIE1931)	White	W_x	Normal $\theta=\phi=0^{\circ}$	—	0.30	—	-	Note 2,6
		W_y		—	0.31	—		
	Red	R_x		—	0.59	—		
		R_y		—	0.32	—		
	Green	G_x		—	0.31	—		
		G_y		—	0.56	—		
	Blue	B_x		—	0.15	—		
		B_y		—	0.08	—		
Color Gamut	NTSC	CIE1931	-	58	-	%	-	
Luminance Uniformity	U_L	Normal $\theta=\phi=0^{\circ}$	—	80	-	%	Note 2,7	

Note 1: Definition of viewing angle



range

Fig. 1 Definition of viewing angle

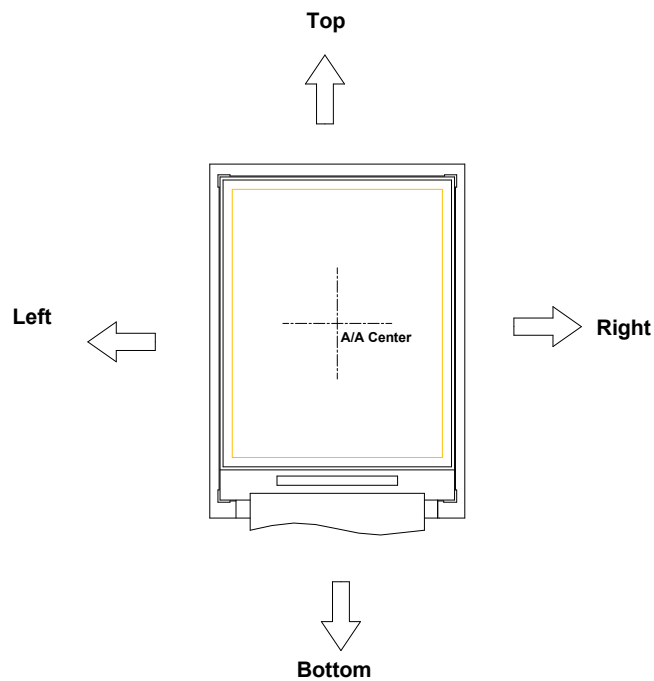


Fig. 2 Definition of viewing angle for display

Note 2: Definition of optical measurement system

The optical characteristics should be measured in a dark room with ambient temperature $T_a=+25$. The optical properties are measured at the center point of the LCD screen after 5 minutes operation. (Equipment: Photo detector TOPCON BM-5A or BM-7 /Field of view: 1° /Height: 500mm.)

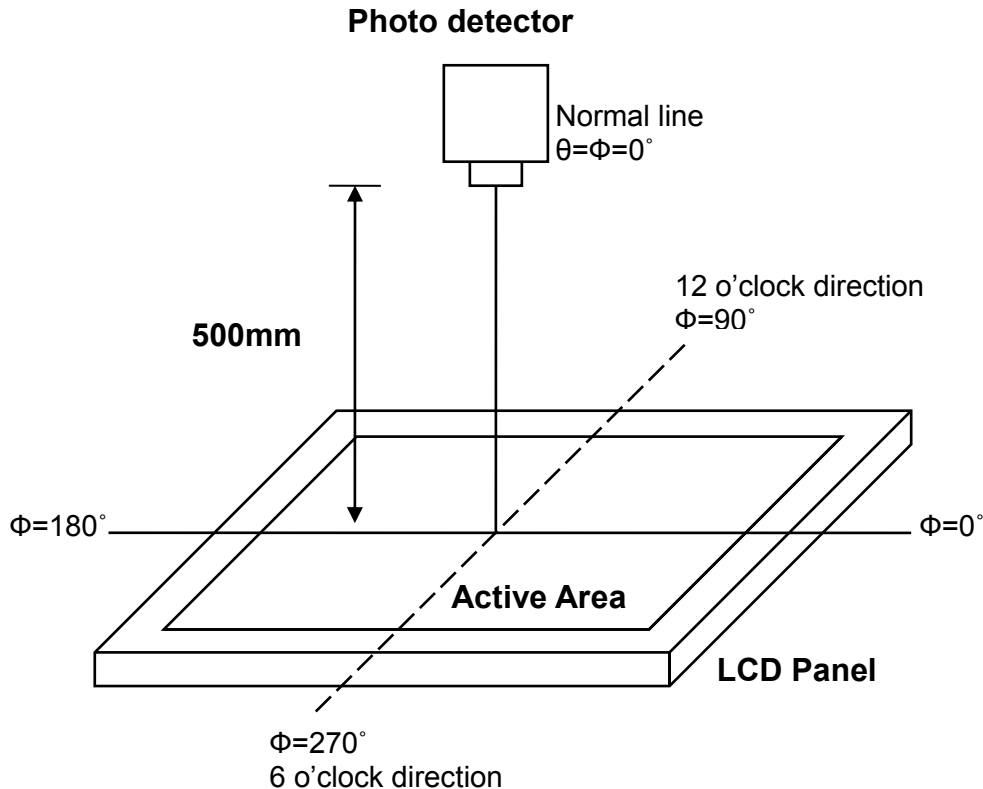


Fig. 3 Optical measurement system setup

Note 3: Definition of response time

The response time is defined as the LCD optical switching time interval between “White” state and “Black” state. Rise time (T_{on}) is the time between photo detector output intensity changed from 90% to 10%, and fall time (T_{off}) is the time between photo detector output intensity changed from 10% to 90%.

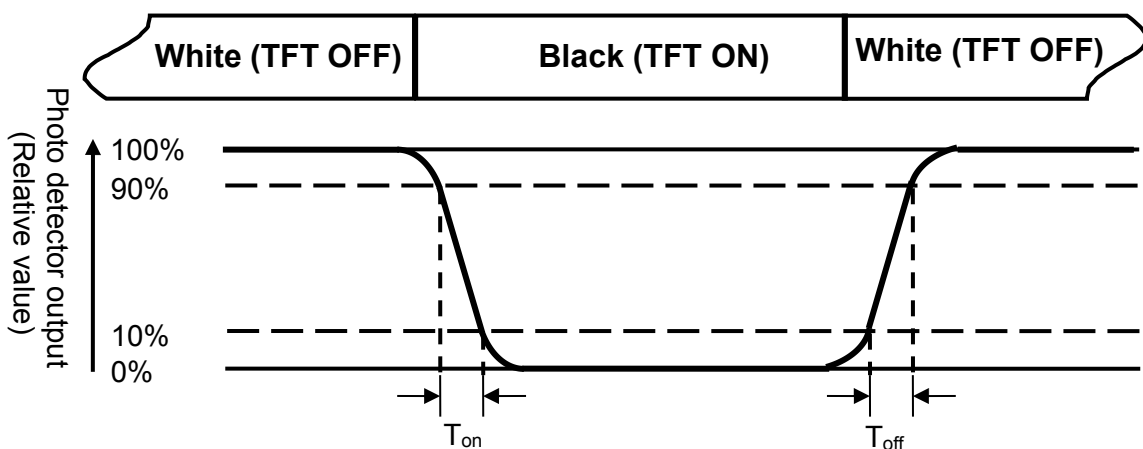


Fig. 4 Definition of response time

Note 4: Definition of contrast ratio

$$\text{Contrast ratio (CR)} = \frac{\text{Luminance measured when LCD on the "White" state}}{\text{Luminance measured when LCD on the "Black" state}}$$

Note 5: Definition of luminance

Measured at the center area of the panel when LCD panel is driven at "white" state.

Note 6: Definition of color chromaticity (CIE1931)

Color coordinates measured at the center point of LCD when panel is driven at "White", "Red", "Green" and "Blue" state respectively.

Note 7: Definition of luminance uniformity

To test for uniformity, the tested area is divided into 3 rows and 3 columns. The measurement spot is placed at the center of each circle as below.

$$\text{Luminance Uniformity (U}_L\text{)} = \frac{L_{\min}}{L_{\max}}$$

L-----Active area length W----- Active area width

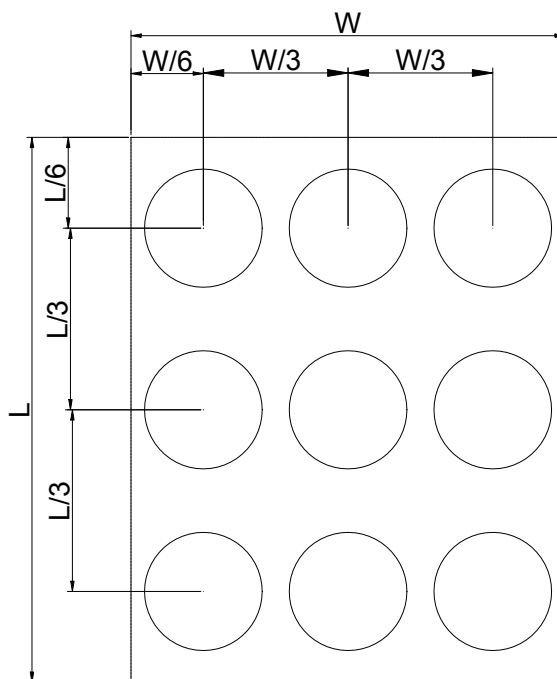


Fig. 5 Definition of luminance uniformity

L_{\max} : The measured maximum luminance of all measurement position.

L_{\min} : The measured minimum luminance of all measurement position.

Note 8: Definition of Flicker

Flicker is the pattern usually used to describe the visual sensation produced by a rapidly varying light intensity. There should be no visible flicker in normal direction of the display when the following figure are loaded.

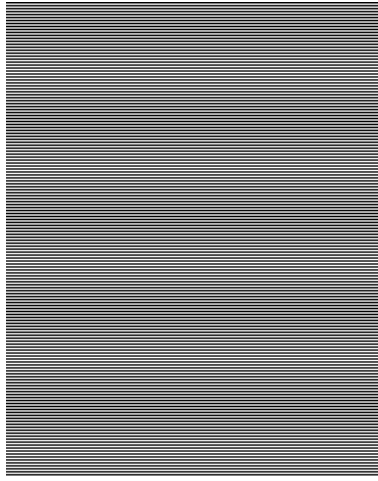


Fig.6 Flicker checker pattern

Note9: Definition of crosstalk

There should be no visible in normal direction of the display when the following figures are loaded.

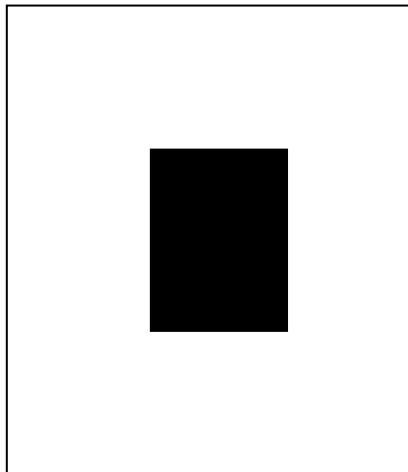


Fig.7 Crosstalk checker pattern

6. Reliability Test Items

Test Items	Test Conditions	Remark
High Temperature Storage	+80°C±3°C for 240 hours	-
Low Temperature Storage	-30°C±3°C for 240 hours	-
High Temperature Operation	+70°C±3°C for 240 hours	-
Low Temperature Operation	-20°C±3°C for 240 hours	-
High Temperature and Humidity Operation	+60°C±3°C, 90%±3%RH max. for 240 hours	-
Thermal Shock	-30°C/0.5h ~ +80°C/0.5h for a total 100 cycles, Start with cold temp and end with high temp	-
Vibration Test	Frequency range:10~55Hz Stoke:1.5mm Sweep:10Hz~55Hz~10Hz 2 hours for each direction of X. Y. Z. (6 hours for total)	-
Mechanical Shock	100G 6ms,±X, ±Y, ±Z 3 times for each direction	-
Package Vibration Test	Random Vibration : 0.015G ² /Hz from 5-200Hz, -6dB/Octave from 200-500Hz 1 hour for each direction of X. Y. Z. (3 hours for total)	-
Package Drop Test	Height :76cm(Weight ≤ 10kg); 60cm(Weight > 10kg) 1 corner, 3 edges, 6 surfaces	-
Electro Static Discharge	± 2KV, Human Body Mode, 100pF/1500Ω	-

Note1: During the display practical test under normal operation condition, there shall be no change, which may affect display function.

Note2: Before functional check, the test sample requires a 2 hours storage time at room temperature.

7. Handling Precautions

7.1. Safety

- 7.1.1. The liquid crystal in the LCD is poisonous. DO NOT put it in your mouth. If the liquid crystal touches your skin or clothes, wash it off immediately using soap and water.**

7.2. Handling

- 7.2.1. The LCD and touch panel is made of plate glass. DO NOT subject the panel to mechanical shock or to excessive force on its surface.**
- 7.2.2. Do not handle the product by holding the flexible pattern portion in order to assure the reliability**
- 7.2.3. Transparency is an important factor for the touch panel. Please wear clear finger sacks, gloves and mask to protect the touch panel from finger print or stain and also hold the portion outside the view area when handling the touch panel.**
- 7.2.4. Provide a space so that the panel does not come into contact with other components.**
- 7.2.5. To protect the product from external force, put a covering lens (acrylic board or similar board) and keep an appropriate gap between them.**
- 7.2.6. Transparent electrodes may be disconnected if the panel is used under environmental conditions where dew condensation occurs.**
- 7.2.7. Property of semiconductor devices may be affected when they are exposed to light, possibly resulting in IC malfunctions.**
- 7.2.8. To prevent such IC malfunctions, your design and mounting layout shall be done in the way that the IC is not exposed to light in actual use.**

7.3. Static Electricity

- 7.3.1. Ground soldering iron tips, tools and testers when they are in operation.**
- 7.3.2. Ground your body when handling the products.**
- 7.3.3. Power on the LCD module BEFORE applying the voltage to the input terminals.**
- 7.3.4. DO NOT apply voltage which exceeds the absolute maximum rating.**
- 7.3.5. Store the products in an anti-electrostatic bag or container.**

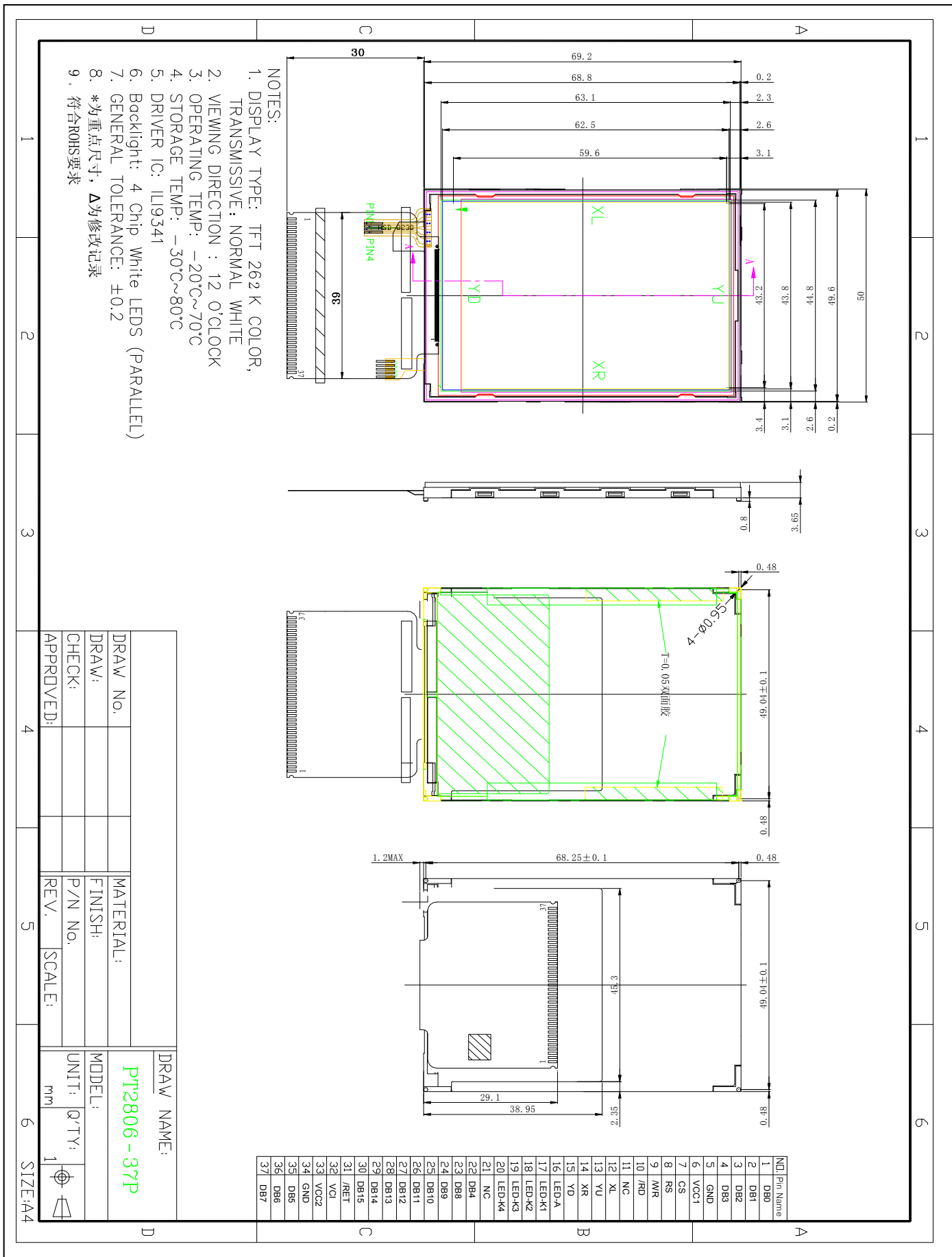
7.4. Storage

- 7.4.1. Store the products in a dark place at $+25^{\circ}\text{C}\pm 10^{\circ}\text{C}$ with low humidity (65%RH or less).**
- 7.4.2. DO NOT store the products in an atmosphere containing organic solvents or corrosive gas.**

7.5. Cleaning

- 7.5.1. DO NOT wipe the touch panel with dry cloth, as it may cause scratch.**
- 7.5.2. Wipe off the stain on the product by using soft cloth moistened with ethanol. DO Not allow ethanol to get in between the upper film and the bottom glass. It may cause peeling issue or defective operation. Do not use any organic solvent or detergent other than ethanol.**

The copyright belongs to xianzheng. Any unauthorized use is prohibited



- NOTES:
1. DISPLAY TYPE: TFT 262 K COLOR, TRANSMISSIVE: NORMAL WHITE
 2. VIEWING DIRECTION : 12 O'CLOCK
 3. OPERATING TEMP: -20°C~70°C
 4. STORAGE TEMP: -30°C~80°C
 5. DRIVER IC: ILI9341
 6. Backlight: 4 Chip White LEDs (PARALLEL)
 7. GENERAL TOLERANCE: ±0.2
 8. *为重点尺寸, Δ为修改记录
 9. 符合ROHS要求

DRAW No.	MATERIAL:	DRAW NAME:
DRAW/:	FINISH:	PT2806-37P
CHECK:	P/N No.	UNIT: Q'TY:
APPROVED:	REV.	SCALE: 1
		SIZE:A4